

Bimetal Thermometer

Model. DS-2040L Series

DAESHIN

Summary

DS-2040L Series는 열팽창계수가 서로 다른 두개의 금속판을 접합한 것으로서 구조가 간단하고 취급이 용이하며 측정시 눈금을 읽기가 쉽고 가격이 저렴하여 사용범위가 넓은 온도계입니다. 식품가공기 등 위생용 라인의 온도측정이나 각종 Flant의 온도 측정에 주로 이용되고 있습니다.

Diameter

75,100,125,150 mm

Accuracy

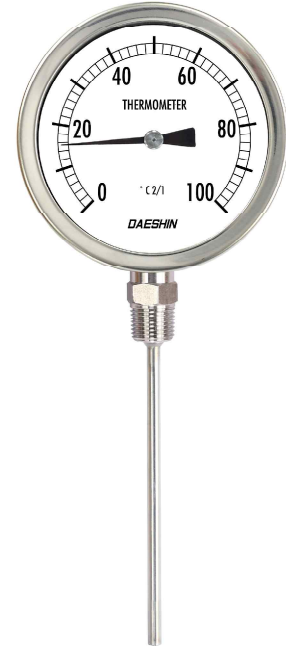
75,100,125,150 mm : ±2.0% of Full Scale

Scale Range

75,100,125,150 mm : -30 ~ 600 °C

Common Temperature

75% of Full Scale



Model. DS-2041L

Standard features

Pressure connection

STS 304

Well

STS 304
Titanium, Monel, Hastelloy
Teflon Lining, Glass Lining

Case, Cover

STS 304

Type

DS-2041L (75mm Direct Type)
DS-2042L (100mm Direct Type)
DS-2043L (125mm Direct Type)
DS-2044L (150mm Direct Type)

Window

General Glass
Safety Glass

Process connection

75mm : 1/4", 3/8", 1/2", 3/4" PT & NPT, PF
100mm : 1/4", 3/8", 1/2", 3/4", 1" PT & NPT, PF
125mm : 1/4", 3/8", 1/2", 3/4", 1" PT & NPT, PF
150mm : 1/4", 3/8", 1/2", 3/4", 1" PT & NPT, PF

Dial

Aluminum
White Coating

Stem Out Dia

Ø6.4, Ø8, Ø10, Ø12 / STS 304, STS 316

Pointer

Aluminum
Black Coating

Standard Scale Range & Stem Length

Scale Range (°C)	Stem Length (mm)
-20 ~ 80	50
-20 ~ 100	50
0 ~ 50	75
0 ~ 80	50
0 ~ 100	50
0 ~ 120	50
0 ~ 150	45
0 ~ 200	40
0 ~ 250	35
0 ~ 300	75
0 ~ 350	65
0 ~ 400	60
0 ~ 500	60
0 ~ 600	60

Pressure Gauge

Accessories

Thermometer

Thermocouple & R.T.D

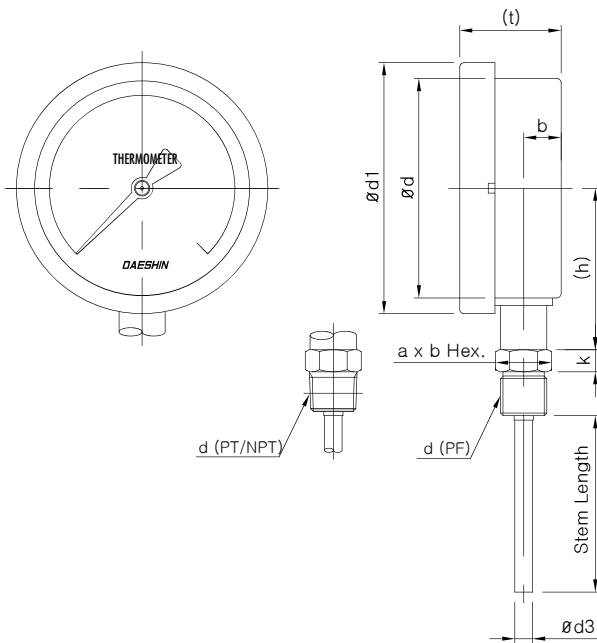
Thermowell

Bimetal Thermometer

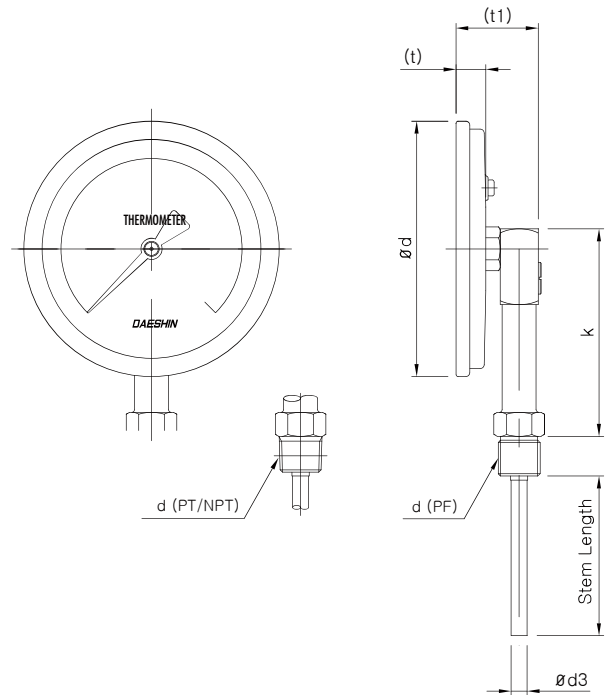
Model. DS-2040L Series

DAESHIN

외형도



Model. DS-2041L/2042L



Model. DS-2043L/2044L

표준사양

Dimensions (mm)

Dial	Model No.	Connection (d)	Ød	Ød1	Ød3	b	h	t	t1	k	a x b
75	DS-2041L	PF & PT & NPT 1/4	77	87	6.4, 8	14	(58)	(40)	-	8	17 x (19.6)
		PF & PT & NPT 3/8			6.4, 8, 10					10	19 x (21.9)
		PF & PT & NPT 1/2			6.4, 8, 10, 12					12	22 x (25.4)
		PF & PT & NPT 3/4			6.4, 8, 10, 12					14	27 x (31.1)
100	DS-2042L	PF & PT & NPT 1/4	100	114	6.4, 8	17	(73)	(40)	-	8	17 x (19.6)
		PF & PT & NPT 3/8			6.4, 8, 10					10	19 x (21.9)
		PF & PT & NPT 1/2			6.4, 8, 10, 12					12	22 x (25.4)
		PF & PT & NPT 3/4			6.4, 8, 10, 12					14	27 x (31.1)
		PF & PT & NPT 1			6.4, 8, 10, 12					16	36 x (41.5)
125	DS-2043L	PF & PT & NPT 1/4	128	-	6.4, 8	-	-	(18)	(41)	100	17 x (19.6)
		PF & PT & NPT 3/8			6.4, 8, 10					102	19 x (21.9)
		PF & PT & NPT 1/2			6.4, 8, 10, 12					104	22 x (25.4)
		PF & PT & NPT 3/4			6.4, 8, 10, 12					106	27 x (31.1)
		PF & PT & NPT 1			6.4, 8, 10, 12					108	36 x (41.5)
150	DS-2044L	PF & PT & NPT 1/4	174	-	6.4, 8	-	-	(27)	(53.2)	108	17 x (19.6)
		PF & PT & NPT 3/8			6.4, 8, 10					110	19 x (21.9)
		PF & PT & NPT 1/2			6.4, 8, 10, 12					112	22 x (25.4)
		PF & PT & NPT 3/4			6.4, 8, 10, 12					114	27 x (31.1)
		PF & PT & NPT 1			6.4, 8, 10, 12					116	36 x (41.5)

Pressure Gauge

Accessories

Thermometer

Thermocouple & R.T.D

Thermowell