

Liquid Filled Type Thermometer (with Micro Contact)

Model. DS-2020M Series

DAESHIN

Summary

DS-2020M Series는 온도측정의 원리 및 구조는 압력식 온도계와 동일하며 마이크로 스위치를 내장하고 있어 설정온도를 조절하여 온도 상승, 하강시 접점 신호를 발생시킬수 있는 제품입니다.
 각종 온도제어 및 각종 보일러, 변압기등등에서 쓰여지고 있으며, 설치시 가능한 Well을 설치하여 주시고 정격전압이하로 결선함에 주의하여 주시기 바랍니다.

Diameter

100,150 mm

Accuracy

Grade : $\pm 2.0\%$ of Full Scale
 Repeatability : $\pm 1.0\%$ of Adj Range
 Dead Band : $\pm 4.0\%$

Scale Range

100,150 mm : $-30 \sim 650 \text{ }^\circ\text{C}$

Common Temperature

75% of Full Scale



Model. DS-2021M



Model. DS-2023M

Pressure Gauge

Accessories

Thermometer

Thermocouple & R.T.D

Thermowell

Standard features

Pressure connection

STS 304, STS 316

Case, Cover

Aluminum (Hammer Tone Coating)

Window

General Glass
 Safety Glass

Dial

Aluminum
 White Coating

Pointer

Aluminum
 Black Coating

Well

STS 304
 Titanium, Monel, Hastelloy
 Teflon Lining, Glass Lining

Type

DS-2021M (Capillary Surface Type)
 DS-2022M (Capillary Panel attachment Type)
 DS-2023M (Direct Rimless Type)
 DS-2024M (Direct Flush Mounting Type)

Process connection

100mm : 1/2" PT & NPT, PF
 150mm : 1/2" PT & NPT, PF

Capillary Tube

Standard 2M (Maximum 10M)

Stem Out Dia

$\varnothing 8, \varnothing 10, \varnothing 12$ / STS 304, STS 316

Contact Rating

AC 125V 5A / 250V 3A

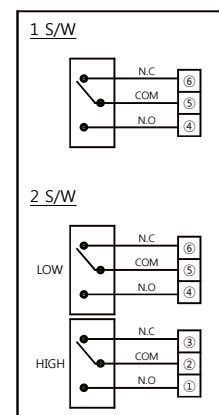
Contact Type

High and Low 2 Contact
 (High or Low, High & High,
 High & Low, Low & Low)

Standard Scale Range & Stem Length

Scale Range	Stem Length (mm)		
	$\varnothing 8$	$\varnothing 10$	$\varnothing 12$
-20 ~ 80	50	60	50
-20 ~ 100	50	60	50
0 ~ 50	83	60	50
0 ~ 80	50	60	50
0 ~ 100	50	60	50
0 ~ 120	50	60	50
0 ~ 150	50	60	50
0 ~ 200	50	60	50
0 ~ 250	50	60	50
0 ~ 300	50	60	50
0 ~ 350	75	53	50
0 ~ 400	70	53	48
0 ~ 500	62	48	44
0 ~ 650	55	45	42

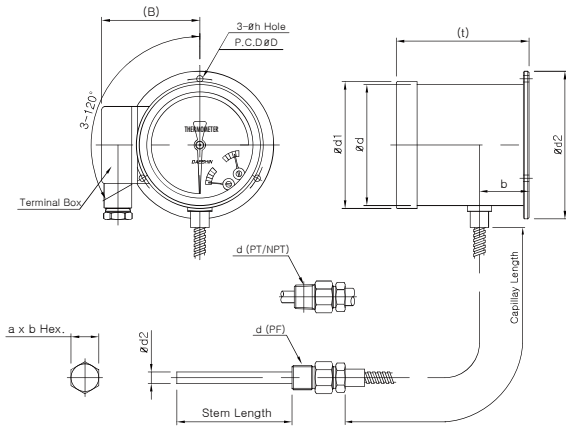
Connection Diagram



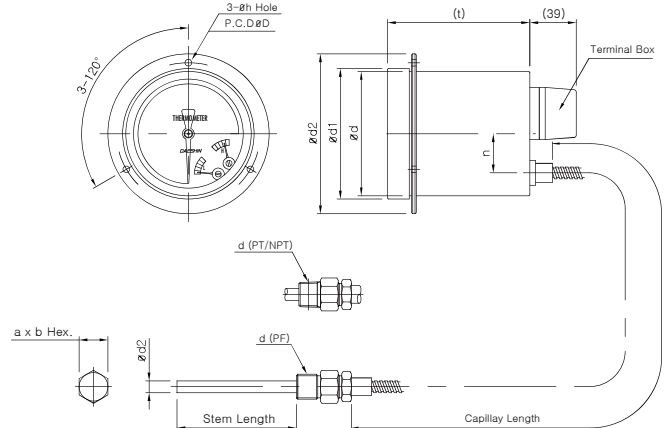
Liquid Filled Type Thermometer (with Micro Contact) Model. DS-2020M Series

DAESHIN

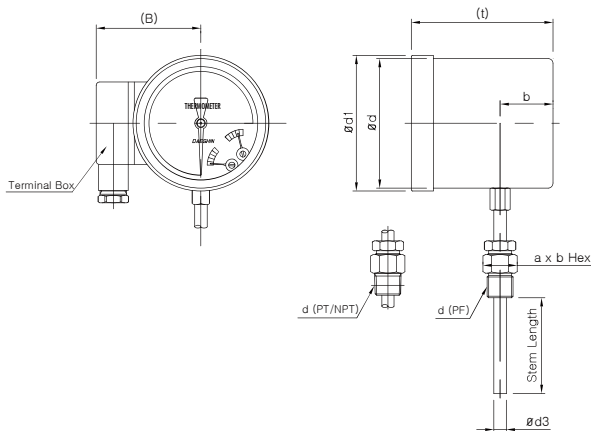
외형도



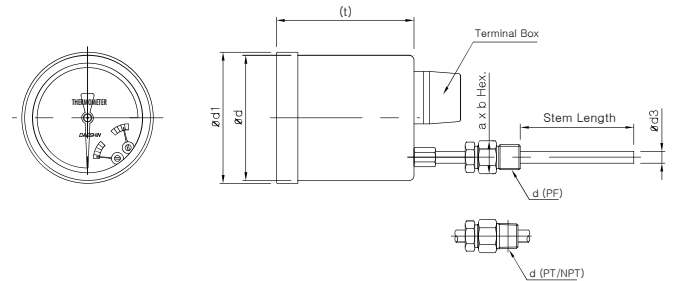
Model. DS-2021



Model. DS-2022



Model. DS-2023



Model. DS-2024

표준사양

Dimensions (mm)

Dial	Model No.	Connection (d)	Ød	Ød1	Ød2	Ød3	B	b	n	t	h	Øh	ØD	a x b
100	DS-2021M	PF 1/2	105	110	128	8	(85)	43	-	(115)	(50)	5.5	115	24 x (27.7)
	DS-2012M	PT & NPT 1/2			135		-	-	33		(48)		120	
	DS-2023M	PF 1/2			-		(85)	43	-		(50)		-	
	DS-2024M	PT & NPT 1/2			-		-	-	33		(48)		-	
150	DS-2021M	PF 1/2	156	170	190	8	(116)	43	-	(115)	(50)	5.5	174	24 x (27.7)
	DS-2022M	PT & NPT 1/2			200		-	-	37		(48)		185	
	DS-2023M	PF 1/2			-		(116)	43	-		(50)		-	
	DS-2024M	PT & NPT 1/2			-		-	-	37		(48)		-	

Pressure Gauge

Accessories

Thermometer

Thermocouple & R.T.D

Thermowell