

Liquid Filled Type Thermometer

Model. DS-2010 Series

DAESHIN

Summary

DS-2010 Series는 눈금 간격이 균일하게 나누어져 있어 온도 측정시에 눈금을 읽기 쉽고 구동력이 크기 때문에 지침의 지시가 확실하며 온도 전달속도가 빨라 공업용으로서 널리 쓰여지고 있습니다. 각종 보일러, 석유화학공장, 탱크내부온도 측정, LPG/LNG Gas Line등에 쓰여지고 있습니다. 가능한 Well을 설치하여 주십시오.

Diameter

100,150 mm

Accuracy

100,150 mm : ±2.0% of Full Scale

Scale Range

100,150 mm : -30 ~ 650 °C

Common Temperature

75% of Full Scale



Model. DS-2011

Model. DS-2013

Standard features

Pressure connection

STS 316

Case

STS 304

Cover

STS 304
Slip-on-Fit

Window

Safety Glass
General Glass

Dial

Aluminum
White Coating

Pointer

Aluminum
Black Coating

Type

DS-2021 (Capillary Surface Type)
DS-2022 (Capillary Panel attachment Type)
DS-2023 (Direct Surface Type)
DS-2024 (Direct Panel attachment Type)

Process connection

100mm : 1/2" PT & NPT, PF
150mm : 1/2" PT & NPT, PF

Capillary Tube

Standard 2M (Maximum 10M)

Stem Out Dia

Ø8, Ø10, Ø12 / STS 304, STS 316

Well

STS 304
Titanium, Monel, Hastelloy
Teflon Lining, Glass Lining

Standard Scale Range & Stem Length

Scale Range	Stem Length (mm)		
	Ø8	Ø10	Ø12
-20 ~ 80	50	60	50
-20 ~ 100	50	60	50
0 ~ 50	83	60	50
0 ~ 80	50	60	50
0 ~ 100	50	60	50
0 ~ 120	50	60	50
0 ~ 150	50	60	50
0 ~ 200	50	60	50
0 ~ 250	50	60	50
0 ~ 300	50	60	50
0 ~ 350	75	53	50
0 ~ 400	70	53	48
0 ~ 500	62	48	44
0 ~ 650	55	45	42

Pressure Gauge

Accessories

Thermometer

Thermocouple & R.T.D

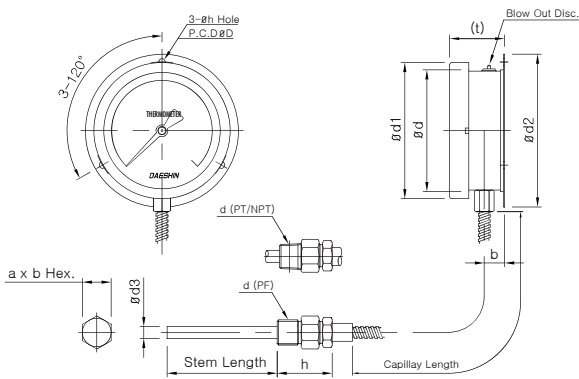
Thermowell

Liquid Filled Type Thermometer

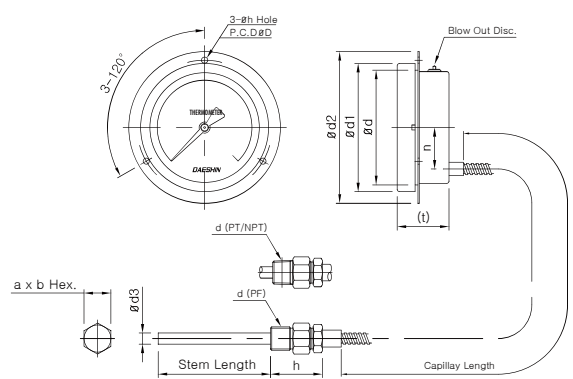
Model. DS-2010 Series

DAESHIN

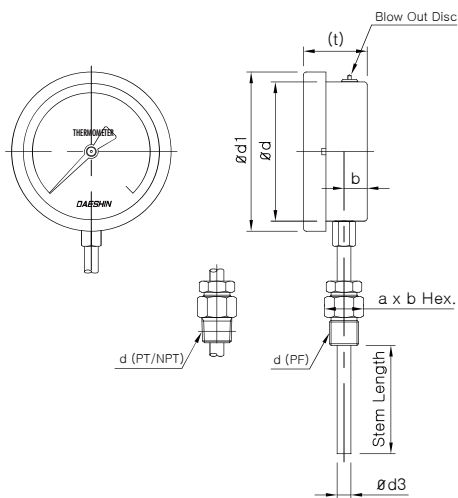
외형도



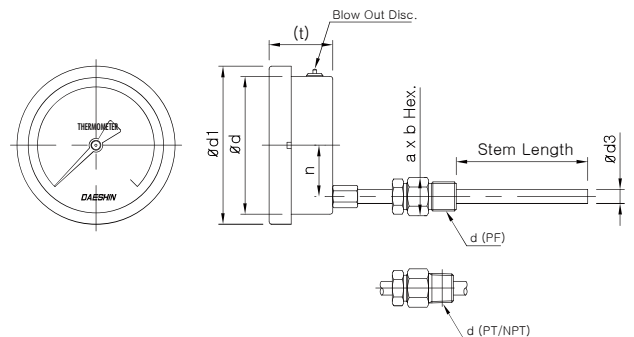
Model. DS-2011



Model. DS-2013



Model. DS-2012



Model. DS-2014

표준사양

Dimensions (mm)

Dial	Model No.	Connection (d)	Ø d	Ø d1	Ø d2	Ø d3	b	n	t	h	Ø h	Ø D	a x b	
100	DS-2011	PF 1/2	100	114	128	8	17	-	(46)	(50)	5.5	115	24 x (27.7)	
	DS-2012	PT & NPT 1/2			135		-	37		(48)		120		
	DS-2013	PF 1/2			-		10	17		-		(50)		-
	DS-2014	PT & NPT 1/2			-		12	-		37		(48)		-
150	DS-2011	PF 1/2	156	170	188	8	17	-	(50)	(50)	5.5	173	24 x (27.7)	
	DS-2012	PT & NPT 1/2			-		37	(48)		-				
	DS-2013	PF 1/2			-		10	17		-		(50)		-
	DS-2014	PT & NPT 1/2			-		12	-		37		(48)		-

Pressure Gauge

Accessories

Thermometer

Thermocouple & R.T.D

Thermowell