

# Sanitary Pressure Gauge

Model. DS-1117 Series

Model. DS-1118 Series

Model. DS-1119 Series

# DAESHIN

## Summary

DS-1110 Series는 식품 및 각종 위생용 장치 및 라인 등의 화학공업에서의 압력측정시 측정 유체가 응고성 있는 분말이 섞였을 경우, 오염이나 부식성이 강할 경우에도 계기의 성능과 수명을 충분히 보장할 수 있도록 제작되었습니다. 고점도, 고온도, 고압력 유체Line등 식품산업에 주로 쓰이고 있습니다.

## Diameter

100mm

## Accuracy

100mm :  $\pm 1.0\%$  of Full Scale

## Scale Range

DS-1117 : -0.1 ~ 2 Mpa, 0 ~ 10 Mpa

DS-1118 : -0.1 ~ 2 Mpa, 0 ~ 10 Mpa

DS-1119 : -0.1 ~ 0.2+2 Mpa, 0 ~ 10 Mpa

## Working Pressure

정압력 : 75% of Full Scale

변동압력 : 60% of Full Scale

## Working Temperature

기체 : -20 ~ 65°C

유체 : -20 ~ 80°C



Model. DS-1117



Model. DS-1118



Model. DS-1119

Pressure Gauge

Accessories

Thermometer

Thermocouple & R.T.D

Thermowell

## Standard features

### Pressure connection

STS 316

### Movement

STS 304

### Diaphragm

STS 304, STS 316

### Element

STS 304, STS 316

C Type Bourdon Tube or Helical Tube

### Dial

Aluminum

White Coating

### Process connection

DS-1117 : IDF & DIN 1 1/2S, 2S, 2 1/2S, 3S(mail)

DS-1118 : PF 1 1/4, PF 1 /12

DS-1119 : IDF & DIN 1 1/2S, 2S, 2 1/2S, 3S(Femail)

### Case

STS 304

### Pointer

Aluminum

Black Coating

### Cover

STS 304

Slip-on-Fit

### Type

DS-1117 (Male Screw Stationary Type)

DS-1118 (Male Screw Portable Type)

DS-1119 (Female Screw Type)

### Window

Safety Glass

# Sanitary Pressure Gauge

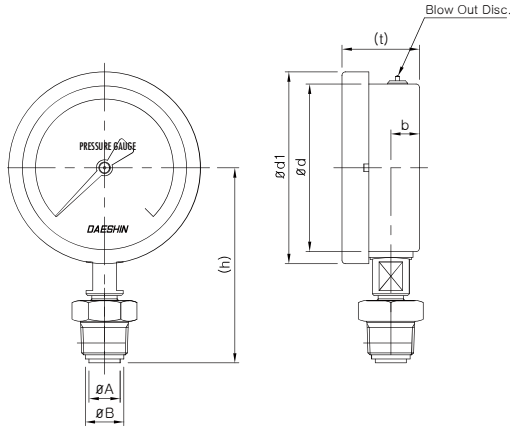
Model. DS-1117 Series

Model. DS-1118 Series

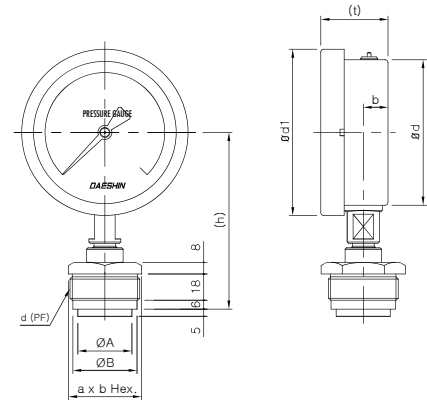
Model. DS-1119 Series

# DAESHIN

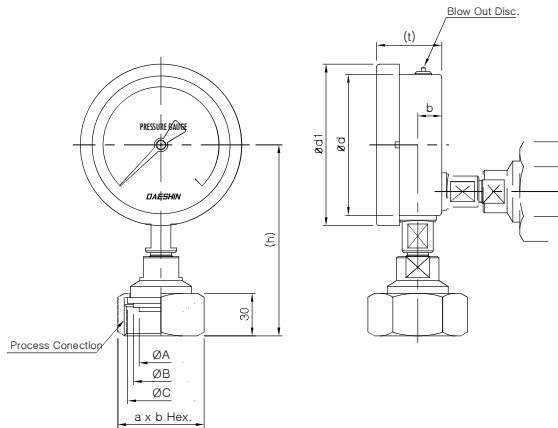
## 외형도



Model. DS-1117



Model. DS-1118



Model. DS-1119

## 표준사양

Dimensions (mm)

Model No.	Process Connection	$\varnothing d$	$\varnothing d1$	b	t	h	$\varnothing A$	$\varnothing B$
DS-1117	1 1/2S	100	114	17	(46)	(105)	33	43
	2S						47	56
	2 1/2S						58	69.7
	3S						70	82.6

Dimensions (mm)

Model No.	Process Connection	$\varnothing d$	$\varnothing d1$	b	t	h	$\varnothing A$	$\varnothing B$	a x b
DS-1118	PF 1 1/4	100	114	17	(46)	(127)	33	38.7	46 x (53.1)
	PF 1 1/2							44.2	50 x (57.7)

Dimensions (mm)

Model No.	Process Connection	$\varnothing d$	$\varnothing d1$	b	t	h	$\varnothing A$	$\varnothing B$	$\varnothing C$	a x b
DS-1119	1 1/2S	100	114	17	(46)	(127)	35	43	47	61 x (70.4)
	2S						47	56	60	76 x (87.7)
	2 1/2S						58	69.7	74	91 x (105)
	3S						70	82.6	87.5	106.5 x (122.9)

Pressure Gauge

Accessories

Thermometer

Thermocouple & R.T.D

Thermowell