

Sanitary Pressure Gauge

Model. DS-1111 Series

Model. DS-1112 Series

Model. DS-1113 Series

DAESHIN

Summary

DS-1110 Series는 식품 및 각종 위생용 장치 및 라인 등의 화학공업에서의 압력측정시 측정 유체가 응고성 있는 분말이 섞였을 경우, 오염이나 부식성이 강할 경우에도 계기의 성능과 수명을 충분히 보장할 수 있도록 제작되었습니다. 고점도, 고온도, 고압력 유체Line등 식품산업에 주로 쓰이고 있습니다.

Diameter

100mm

Accuracy

100mm : ± 1.0 of Full Scale

Scale Range

DS-1111 : $-0.1 \sim 0.3+2$ Mpa, $0 \sim 3.5$ Mpa

DS-1112 : $15 \sim 70$ Mpa

DS-1113 : $15 \sim 70$ Mpa

Working Pressure

정압력 : 75% of Full Scale

변동압력 : 60% of Full Scale

Working Temperature

기체 : $-20 \sim 65^{\circ}\text{C}$

유체 : $-20 \sim 80^{\circ}\text{C}$



Model. DS-1111



Model. DS-1112



Model. DS-1113

Standard features

Pressure connection

STS 316

Movement

STS 304

Diaphragm

STS 304, STS 316

Element

STS 304, STS 316

C Type Bourdon Tube or Helical Tube

Dial

Aluminum

White Coating

Process connection

DS-1111 : 1S, 1 1/2S, 2S, 2 1/2S, 3S, 4S

DS-1112 : See the Product Drawing

DS-1113 : See the Product Drawing

Case

STS 304

Pointer

Aluminum

Black Coating

Cover

STS 304

Slip-on-Fit

Type

DS-1111 (Clamp Type)

DS-1112 (I Type)

DS-1113 (Jig Type)

Window

Safety Glass

Pressure Gauge

Accessories

Thermometer

Thermocouple & R.T.D

Thermowell

Sanitary Pressure Gauge

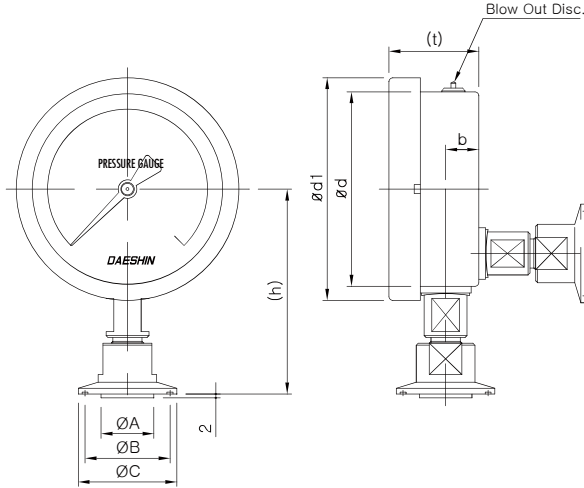
Model. DS-1111 Series

Model. DS-1112 Series

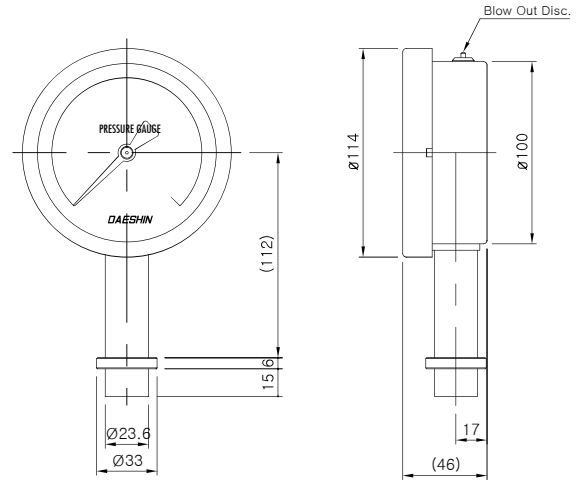
Model. DS-1113 Series

DAESHIN

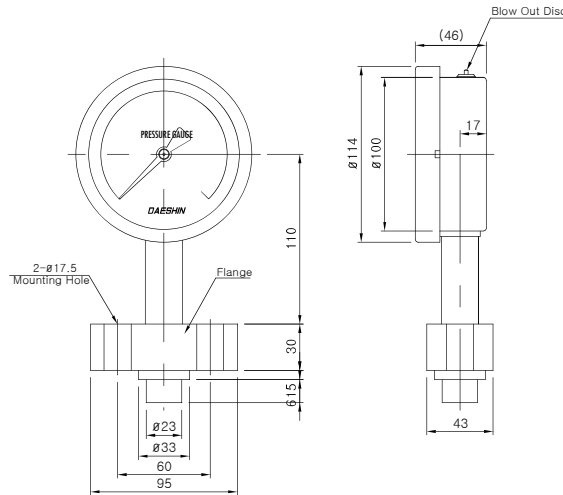
외형도



Model. DS-1111



Model. DS-1112



Model. DS-1113

표준사양

Dimensions (mm)

Model No.	Process Connection	$\varnothing d$	$\varnothing d1$	b	t	h	$\varnothing A$	$\varnothing B$	$\varnothing C$
DS-1117	1S	100	114	17	(46)	(105)	33	43.5	50.5
	1 1/2S						33	43.5	50.5
	2S						47	46.5	64
	2 1/2S						58	70.5	78
	3S						70	83.5	91
	4S						98	110	119

Pressure Gauge

Accessories

Thermometer

Thermocouple & R.T.D

Thermowell