

Pressure Gauge with Electric Contact

Model. DS-1060 Series

DAESHIN

Summary

DS-1060 Series는 지시계에 접점 기구를 조립하여 넣은것으로서
압력의 지시는 물론, 내장되어 있는 접점기구에 미리 설정시켜 놓은
압력에서 전기신호를 보내어 정보 및 제어를 할 수 있도록 설계
제작 되어 있습니다.

Diameter

100, 150 mm

Accuracy

100,150 mm : ±1.0 of Full Scale

Scale Range

100,150 mm : -0.1 ~ 0 Mpa, -0.1 ~ 2 Mpa, 0 ~ 100Mpa

Working Pressure

정압력 : 75% of Full Scale

변동압력 : 60% of Full Scale

Working Temperature

기체 : -20 ~ 65°C

유체 : -20 ~ 80°C



Model. DS-1061

Pressure Gauge

Accessories

Thermometer

Thermocouple & R.T.D

Thermowell

Standard features

Pressure connection

STS 316

Element

STS 304, STS 316

C Type Bourdon Tube or Helical Tube

Case,Cover

STS 304

Window

Poly Carbonate

Movement

STS 304

Dial

Aluminum

White Coating

Pointer

Phosphor Bronze

Black Coating

Type

DS-1061 (Rimless Type)

DS-1062 (Surface Type)

DS-1063 (Flush Mounting Type)

DS-1064 (Panel attachment Type)

Process connection

100mm : 1/4",3/8",1/2" PT & NPT, PF

150mm : 1/4",3/8",1/2" PT & NPT, PF

Contact Rating

AC 125V 0.5A / 250V 0.25A

Contact Type

High and Low 2 Contact
(High or Low, High & High,
High & Low, Low & Low)

Option

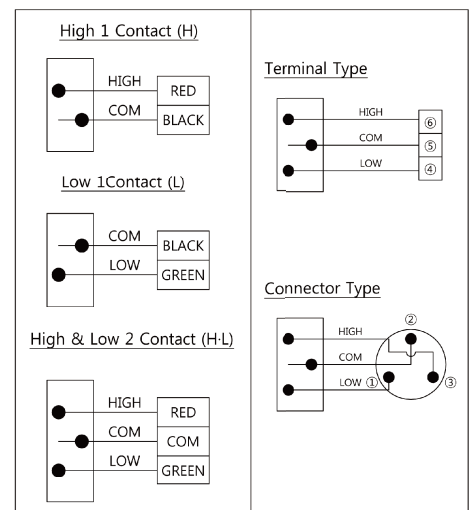
Blow out protection on the Top Rubber Disc

Bracket

Throttles

Accessories

Connection Diagram

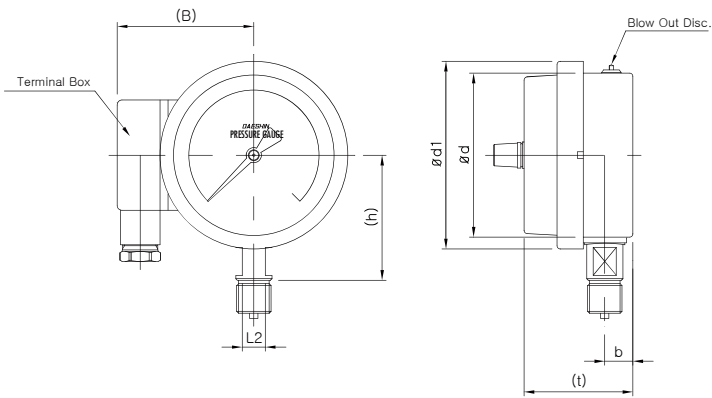


Pressure Gauge with Electric Contact

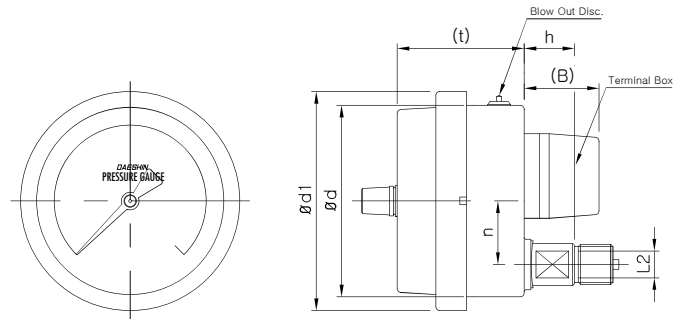
Model. DS-1060 Series

DAESHIN

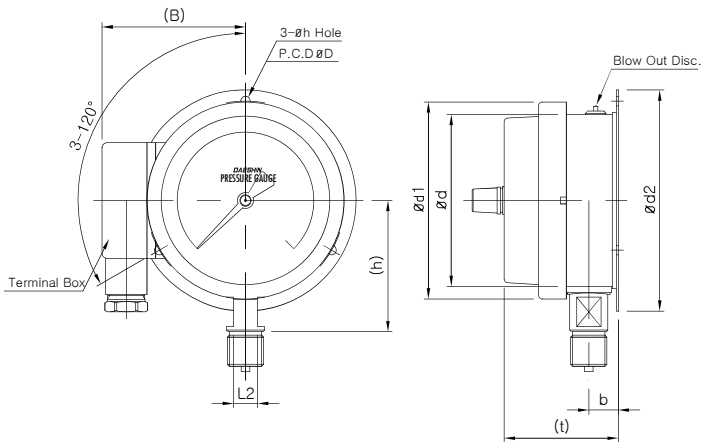
외형도



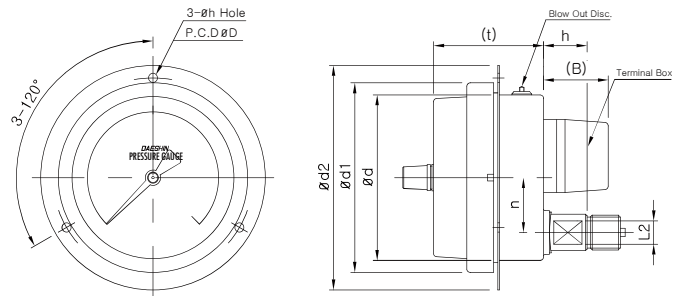
Model. DS-1061



Model. DS-1062



Model. DS-1063



Model. DS-1064

표준사양

Dimensions (mm)

Dial	Model No.	Ød	Ød1	Ød2	b	n	B	t	L2	h	Øh	ØD
100	DS-1061/1062	100	114	128	17	-	83	(66)	17	(76)	5.5	115
	DS-1063/1064			135	-	33	39			(26)		
150	DS-1061/1062	152	168	188	17	-	116	(66)	17	(100)	5.5	173
	DS-1063/1064			-	33	39	(26)					

Pressure Gauge

Accessories

Thermometer

Thermocouple & R.T.D

Thermowell