

Special Low Pressure Gauge

Model. DS-1050S Series

DAESHIN

Summary

DS-1050S Series는 Bourdon관 압력계로서는 측정할 수 없는 낮은 압력을 측정하기 위하여 특수하게 설계 제작된 계기로서 Element는 Chamber로 하고 있습니다.
각종 Gas 배관 압력 측정등에 쓰이거나 각종 용도의 미세한 압력측정에 주로 쓰이고 있습니다.

Diameter

75, 100, 150 mm

Accuracy

75,100,150 mm : $\pm 1.5\%$ of Full Scale

Scale Range

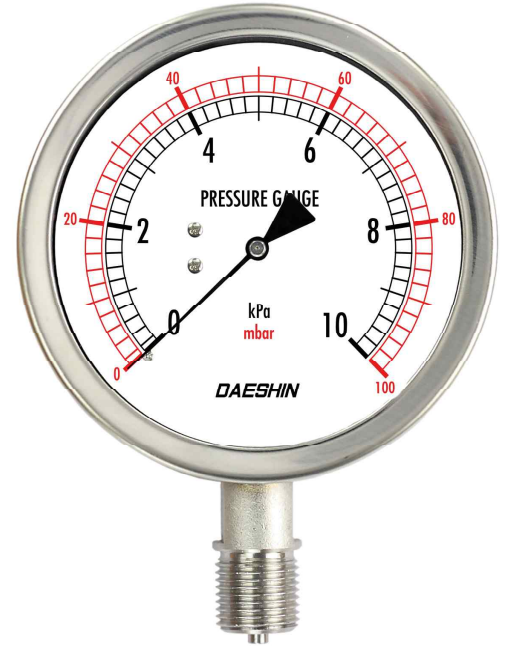
75,100mm : -1 ~ -100 kPa, -1+1 ~ -50+50 kPa, 2 ~ 100 kPa

Working Pressure

정압력 : 75% of Full Scale
변동압력 : 60% of Full Scale

Working Temperature

기체 : -20 ~ 65°C
유체 : -20 ~ 80°C



Model. DS-1051S

Pressure Gauge

Accessories

Thermometer

Thermocouple & R.T.D

Thermowell

Standard features

Pressure connection

STS 316

Movement

Brass

Process connection

75mm : 1/4", 3/8" PT & NPT, PF
100mm : 1/4", 3/8", 1/2" PT & NPT, PF
150mm : 1/4", 3/8", 1/2" PT & NPT, PF

Element

STS 304, STS 316

Dial

Aluminum
White Coating

Option

Accessories

Case, Cover

STS 304

Pointer

Aluminum
Black Coating

Window

General Glass

Type

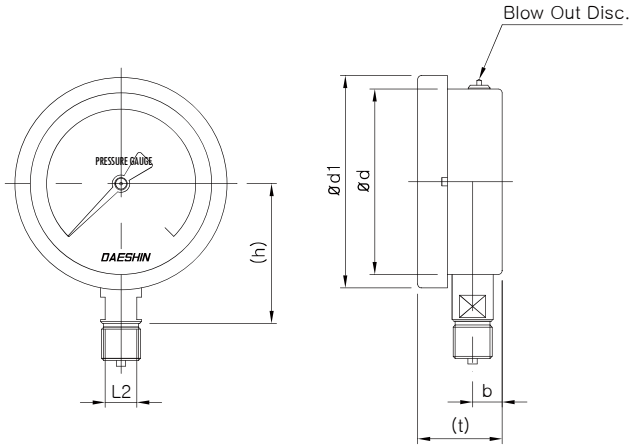
DS-1051S (Rimless Type)
DS-1052S (Surface Type)
DS-1053S (Flush Mounting Type)
DS-1054S (Panel attachment Type)

Special Low Pressure Gauge

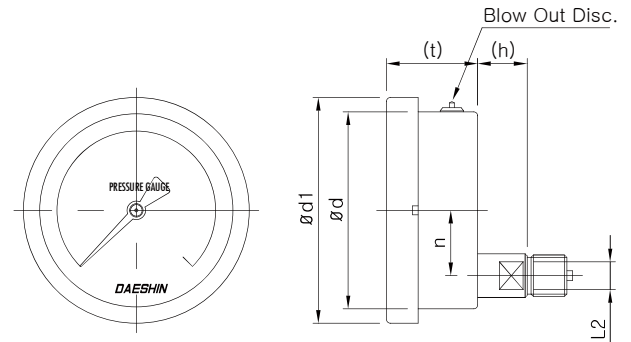
Model. DS-1050S Series

DAESHIN

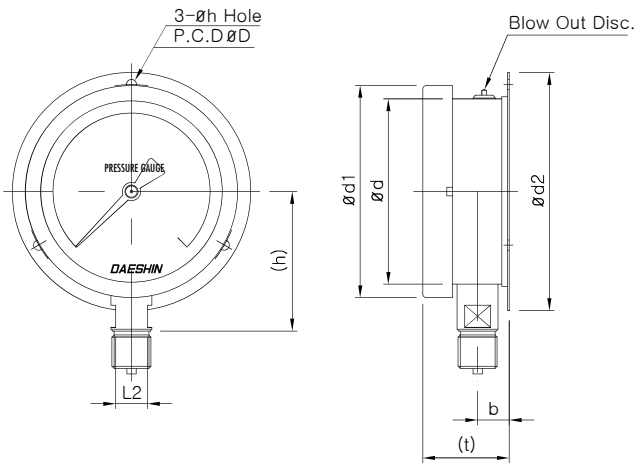
외형도



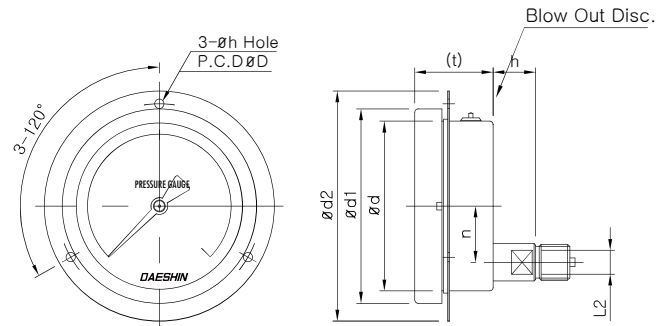
Model. DS-1051S



Model. DS-1053S



Model. DS-1052



Model. DS-1054S

표준사양

Dimensions (mm)

| Dial | Model No. | Ød | Ød1 | Ød2 | b | n | t | L1 | L2 | h | Øh | ØD |
|------|----------------|------|-----|-----|----|----|------|----|----|-------|-----|-----|
| 75 | DS-1051S | 76.5 | 78 | 100 | 13 | - | (50) | 17 | - | (50) | - | - |
| | DS-1053S/1054S | 77 | 88 | 107 | - | 22 | (40) | - | 14 | (20) | 4.5 | 97 |
| 100 | DS-1051S/1052S | 100 | 114 | 128 | 13 | - | (46) | - | 17 | (75) | 5.5 | 115 |
| | DS-1053S/1054S | | | 135 | - | 33 | (46) | - | | (25) | | 120 |
| 150 | DS-1051S/1052S | 152 | 168 | 188 | 17 | - | (50) | - | 17 | (100) | 5.5 | 173 |
| | DS-1053S/1054S | | | | - | 33 | (50) | - | | (33) | | |

Pressure Gauge

Accessories

Thermometer

Thermocouple & R.T.D

Thermowell